

External Harmonic Generator



515 nm, 343 nm, 257 nm,
and 206 nm outputs

Simple selection of the
active harmonic

Simultaneous or
switchable outputs

Standalone harmonics for
PHAROS / CARBIDE and FLINT

HIRO for PHAROS / CARBIDE

Model	HIRO	HIRO-HP	HIRO-HE
Maximum pump power	20 W	80 W	
Pump pulse energy	8 – 400 μ J	200 – 1000 μ J	1000 – 4000 μ J
Available outputs ¹⁾²⁾	Up to 4H ³⁾	Up to 5H	
Conversion efficiency ¹⁾⁴⁾		> 50% (2H) > 25% (3H) > 10% (4H) ⁵⁾ > 5% (5H) ⁶⁾	
Polarization ⁷⁾		Linear, horizontal (2H, 5H) Linear, vertical (3H, 4H)	

PHYSICAL DIMENSIONS

Dimensions (L x W x H)	487 x 176 x 180 mm	552 x 320 x 170 mm
------------------------	--------------------	--------------------

¹⁾ For harmonic combinations and simultaneous outputs, contact sales@lightcon.com.

²⁾ Residual fundamental output available upon request.

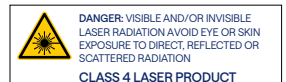
³⁾ White light continuum output available upon request.

⁴⁾ Percentage of pump power, for repetition rate of up to 200 kHz.

⁵⁾ Maximum output power of 1 W.

⁶⁾ Maximum output power of 150 mW. Only for HIRO-HP/HE.

⁷⁾ Different polarization is available upon request.



HIRO for FLINT

Model	HIRO
Available harmonic ¹⁾	Up to 4H
Maximum pump power	4 W
Conversion efficiency ²⁾	> 35% (2H) > 5% (3H) > 1% (4H)

PHYSICAL DIMENSIONS

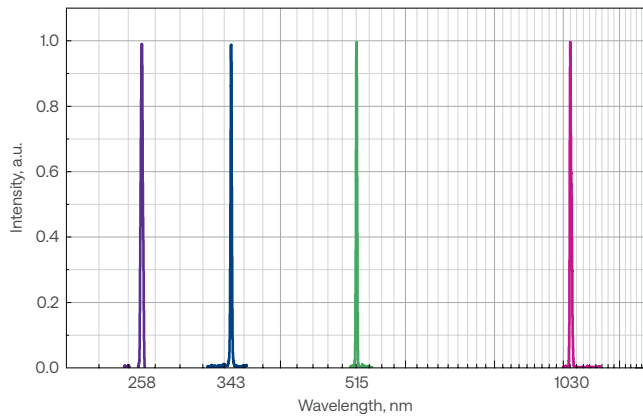
Dimensions (L × W × H)	487 × 176 × 180 mm
------------------------	--------------------

¹⁾ For high power 2H, refer to HG for FLINT.

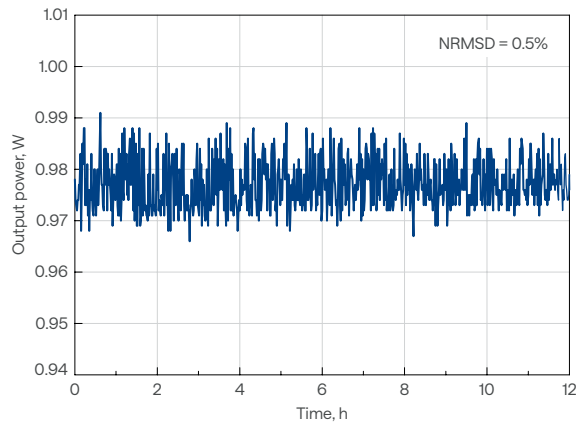
²⁾ For pump power of > 500 mW.



HIRO outputs

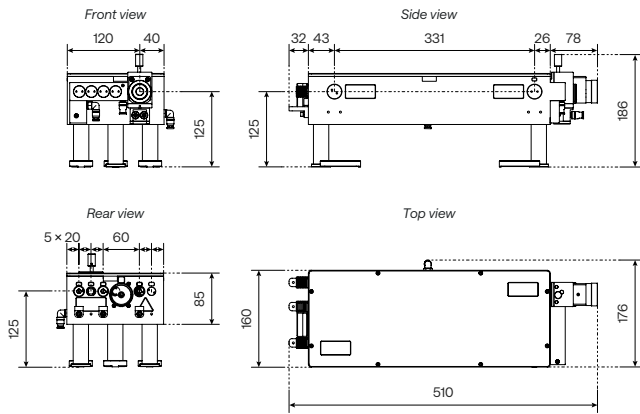


4H output power stability



Drawings

HIRO drawing



HIRO-HP/HE drawing

